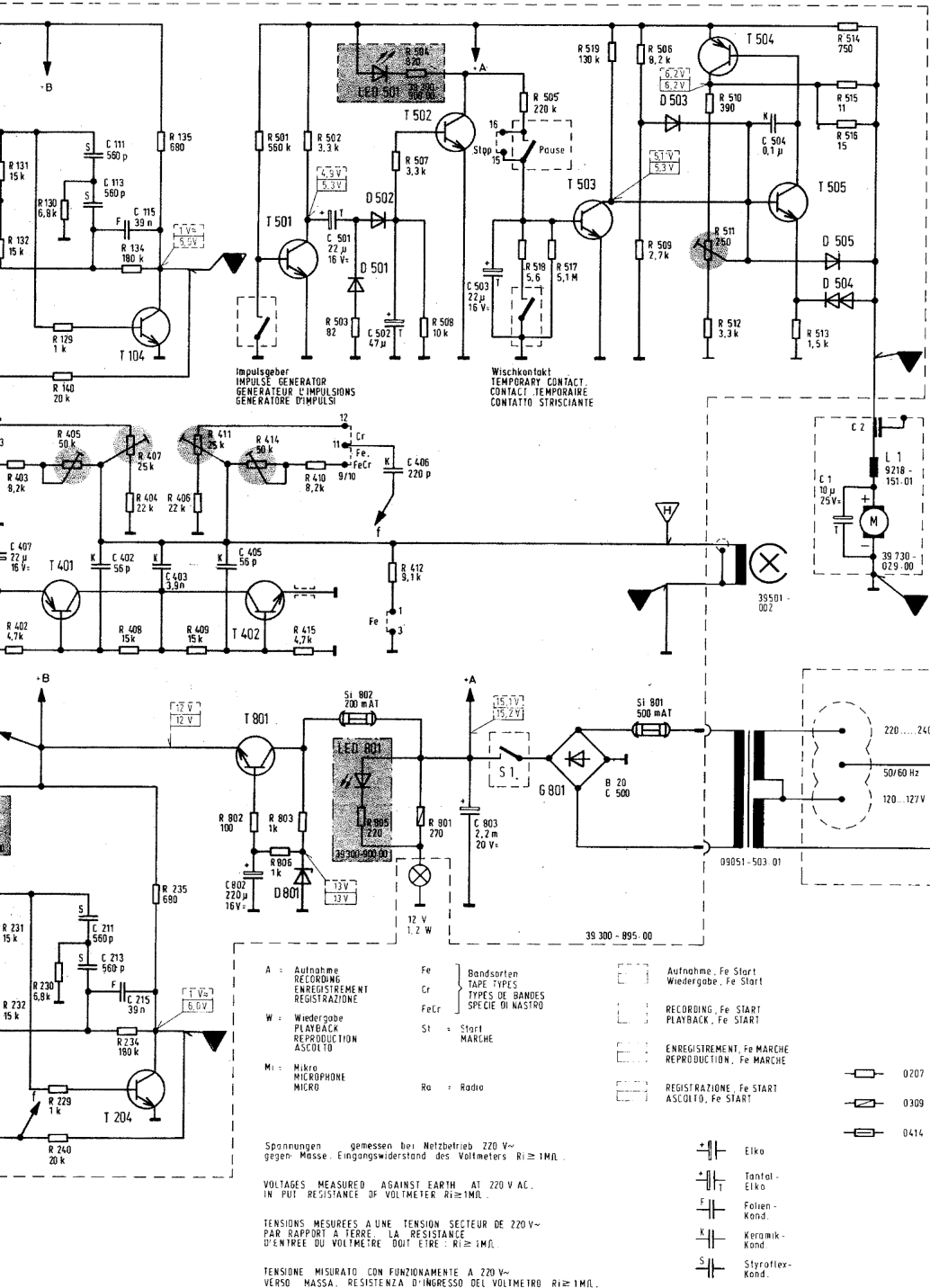
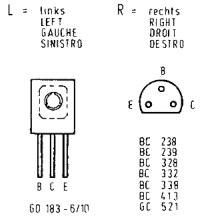
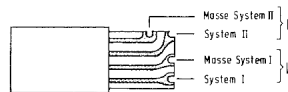


C:	101, 102, 201, 202,	104, 103, 203,	109, 105, 117, 301, 209, 205,	106, 206,	302,	107, 108, 207, 208, 210, 214,	110, 114, 401, 407,	111, 113, 402, 115, 403, 212, 211, 213, 215,	
R:	101, 103, 201, 203, 204, 205, 206, 208, 209, 210, 212, 237, 213,	102, 104, 105, 106, 107, 108, 109, 110, 139, 137, 112, 301, 113,	302, 114, 115, 138, 303, 304, 116, 117, 305, 141, 119, 119, 120, 121, 218, 219, 220, 221, 222, 242,	118, 119, 120, 121, 218, 219, 220, 221, 222, 242,	112, 142, 401, 128, 136, 402, 403, 131, 132, 130, 129, 140, 405, 407, 404, 134, 408, 228, 236, 231, 232, 229, 230, 240, 234, 235,				



Kopfanschlüsse
HEAD CONNECTIONS
CONNEXIONS DE TÊTE
CONNESSIONI DELLA TESTINA } 39 511 - 802 01



Schebeschalter
SLIDING SWITCH
COMMUTEUR À COURSE
COMMUTATORE A CURSORE

AW 39 706 - 125 00
9218 - 151 01
Start 39 706 - 126 00

Bandwahl TAPE SELECTION
SELECTION DE BANDE 39 706 - 110 00

Schalterkontakt
SWITCH CONTACT
CONTACT DE COMMUTEUR
CONTATTO DI COMMUTATORE

T 101, 201	BC 413 B
T 102, 202	BC 238 C
T 103, 203	BC 739 BC
T 104, 204	BC 332 B
T 301	GC 521
T 302, 303	BC 238
T 401	BC 328 / 25
T 402	BC 336 / 25
T 501	BC 238 B
T 502	BC 336 / 25
T 503	BC 238 B
T 504	GD 183 - 6/10
T 505	BC 238 B
T 801	BC 336 / 25

D 101, 102, 301, 302, 303, 304, 305, 501, 502, 503 } 1H 4148

D 504 B2 102 / 1 V4
D 505 M 52

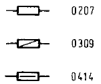
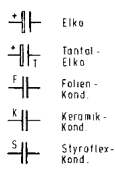
LED 401 CDY 40 L
LED 501 CDY 72 L
LED 801 CDY 74 L

- A = Aufnahme RECORDING ENREGISTREMENT REGISTRAZIONE
W = Wiedergabe PLAYBACK REPRODUCTION ASCOLTO
M = Mikro MICROPHONE MICRO
- Fe } Bandarten TAPE TYPES TYPES DE BANDES SPECIE DI NASTRO
Cr
Fe, Cr
St = Start MARCHÉ
Ra = Radio
- Aufnahme, Fe Start Wiedergabe, Fe Start
RECORDING, Fe START PLAYBACK, Fe START
ENREGISTREMENT, Fe MARCHÉ REPRODUCTION, Fe MARCHÉ
REGISTRAZIONE, Fe START ASCOLTO, Fe START

Spannungen gemessen bei Netzbetrieb 220 V ~ gegen Masse. Eingangswiderstand des Voltmeters Ri ≥ 1MΩ.

TENSIONS MESUREES A UNE TENSION SECTEUR DE 220 V ~ PAR RAPPORT A TERRE. LA RESISTANCE D'ENTREE DU VOLTMETRE DOIT ETRE : Ri ≥ 1MΩ.

TENSIONI MISURATE CON FUNZIONAMENTO A 220 V ~ VERSO MASSA. RESISTENZA D'INGRESSO DEL VOLTMETRO Ri ≥ 1MΩ.



Änderungen vorbehalten!
ALTERATIONS RESERVEES!
MODIFICAZIONI RESERVEES!
CON RISERVA DI MODIFICA!

111, 113, 402, 115, 403, 405, 802, 501, 502, 406, 503, 504, 1, 2,
212, 211, 213, 215, 404, 407, 408, 134, 409, 135, 406, 409, 414, 501, 415, 410, 502, 503, 507, 412, 504, 508, 505, 518, 517, 519, 506, 509, 510, 511, 512, 513, 514, 515, 516,
31, 232, 229, 230, 240, 234, 235, 802, 803, 805, 801,

GRUNDIG

CN 500

HI FI
(32028 - 906.00)